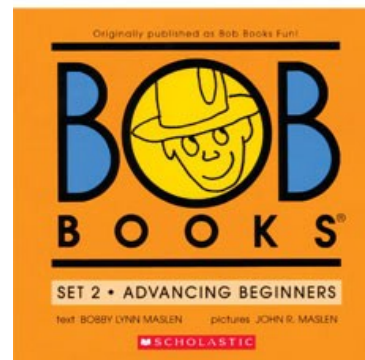


BOB Book Printables

Set 2 Book 2



These were created to use with [BOB Books Set 2](#).

Page 2 — Dot the Words

Call out a word on the page. Let your student dot it with a [Do-a-Dot marker](#) or a Bingo marker (usually found at dollar stores).

Page 3 — Up on Top

Page 4 — Was Maze

Page 5 — Words to Type

Print the page and let your student type the words right on the computer, using the word processing program of your choice. I know this activity isn't for all students, but my little guy LOVES it. He feels so big! Be sure and teach your child how to use the enter button (hit it after they finish a word). They will probably love typing and printing the word list.

Don't miss the other BOB Book printables at www.walkingbytheway.com

Files may not be sold, hosted on other sites, or shared.

Dot the Words

Set 2

Book 2

Do-a-dot all the short /u/ words.



Bud

pup

sat

kid

up

was

the

Bet

Bob

Pug

top

dog

pup

was

rug



up

Bet

Bud

on

pup

end

a

pup

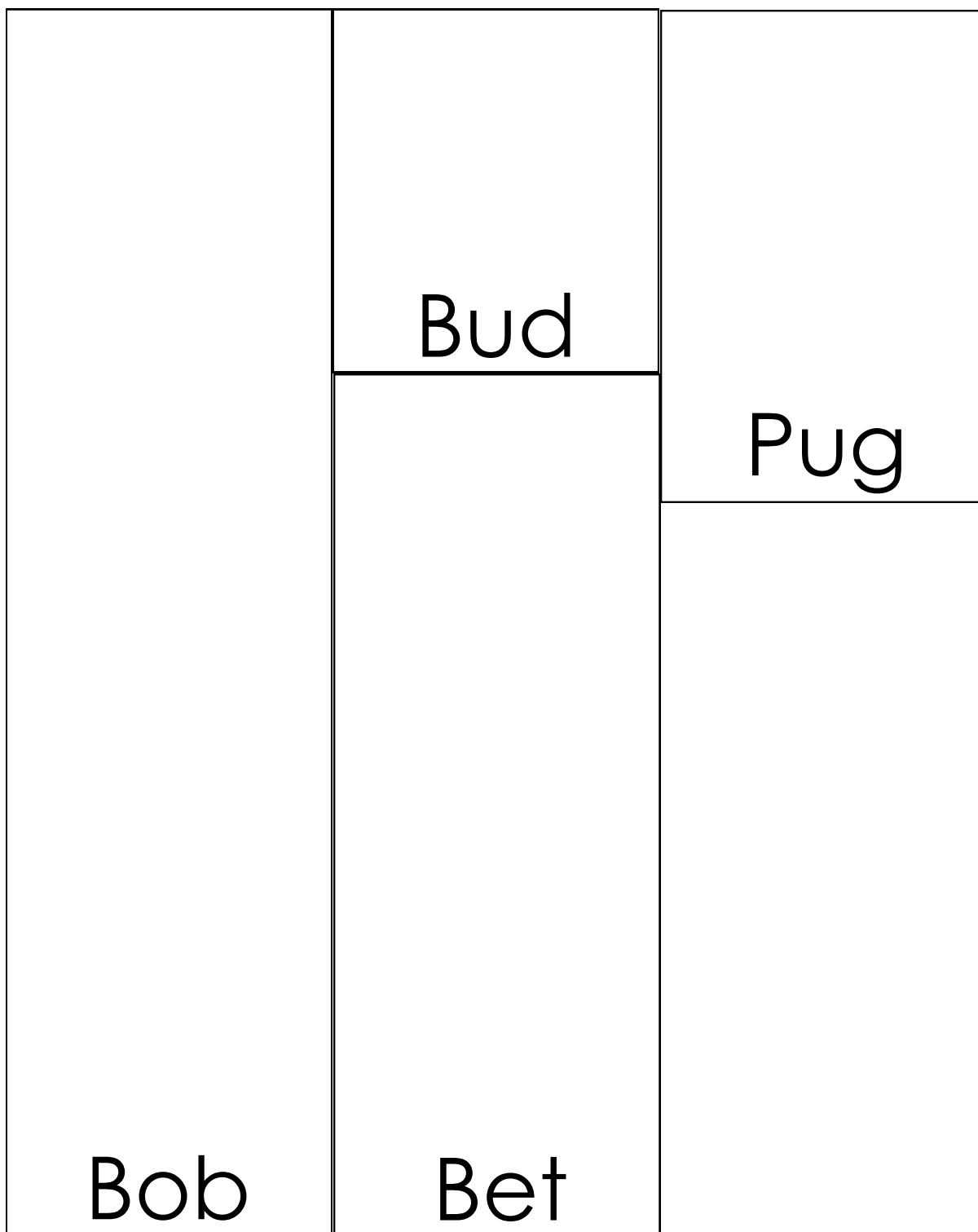
Pug

Up on Top

Set 2

Book 2

Draw Bob, Pug, Bet, and Bud. Cut the strips.
Stack them in order and tape them together.






Was Maze

Set 2

Book 2

Follow was through the maze and find a pup!

was	was	was	was	was	was
was	ask	what	as	wash	was
was	has	a	walk	was	was
was	wash	wall	has	was	sat
was	was	was	ask	was	what
as	sat	was	a		
 start	was	was	as		



words to type

sat

end

kid

red

on

top

rug

was

